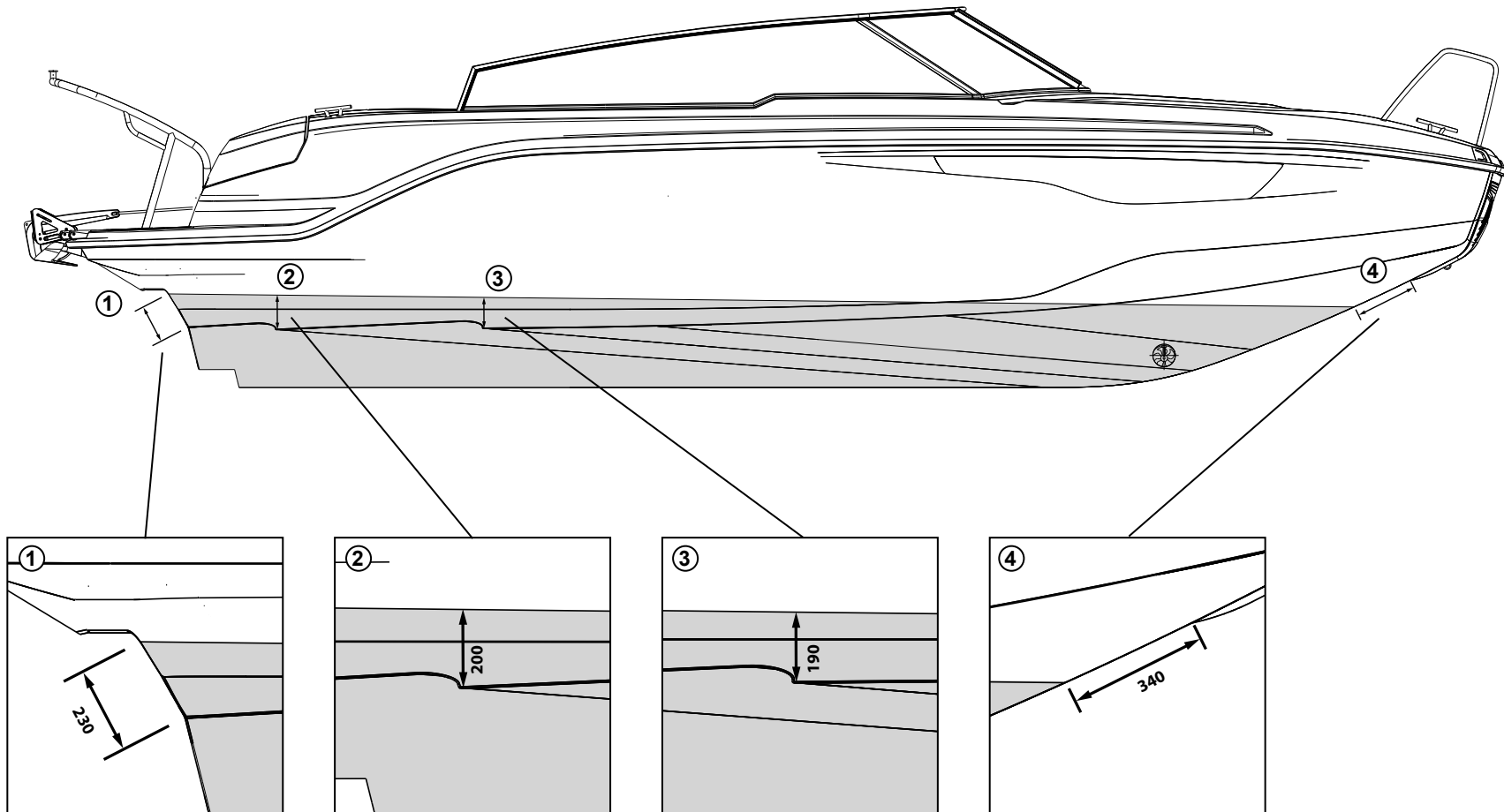
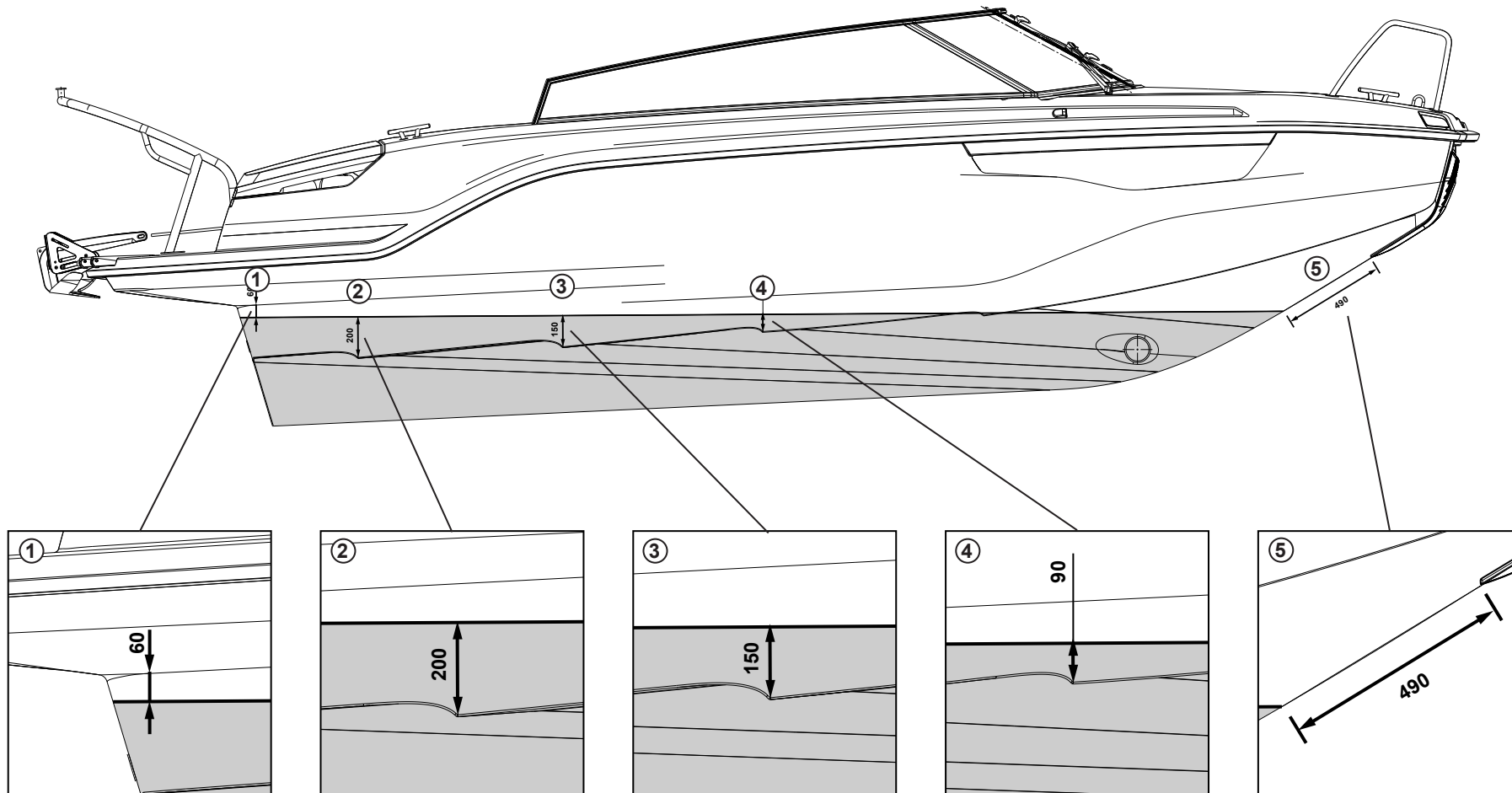


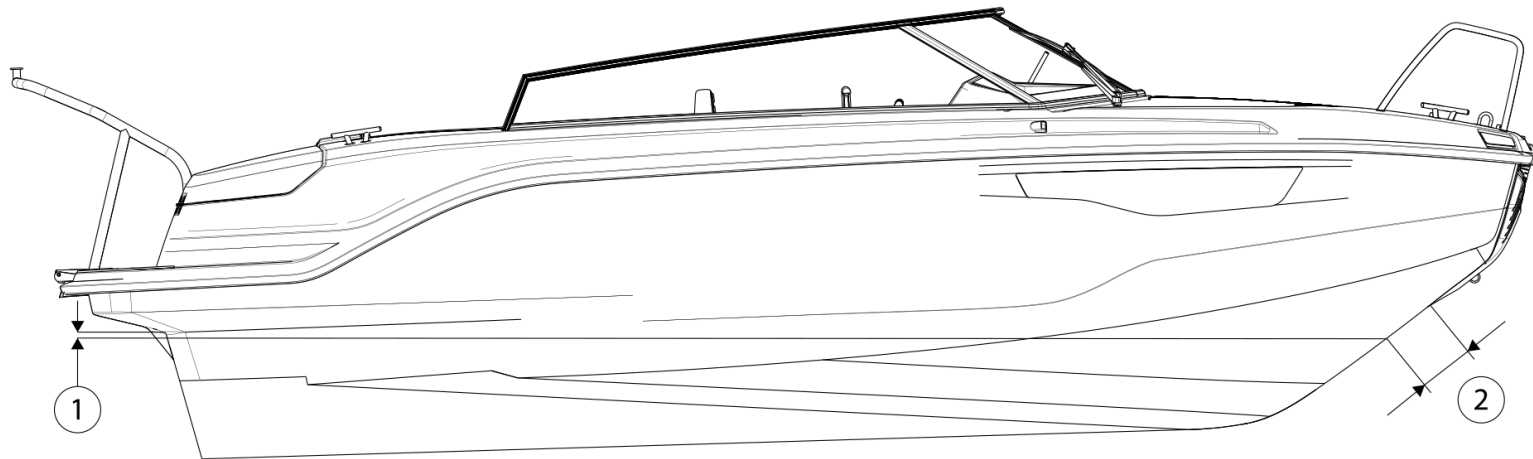
SILVER RAPTOR DC<sup>Z</sup>



SILVER VIPER DC<sup>Z</sup>



**SILVER TIGER DC<sup>Z</sup> / BR<sup>Z</sup>**



Antifouling line:

- No 1, stern      20 mm downwards from lower corner of bath platform
- No 2, bow      210 mm downwards along the bow from lower edge of bumper